

Матрицы для ноутбуков производства Samsung Electronics

Экраны для ноутбуков Samsung популярны в портативных компьютерах различных производителей, в частности Acer, Dell, Fujitsu-Siemens, IBM Lenovo, Asus, LG, Toshiba. И не удивительно, так как Samsung Electronics является мировым лидером по производству жидкокристаллических дисплеев. Матрицы Samsung Electronics характеризуются стабильным качеством, незаурядными характеристиками и неограниченным ассортиментом, который охватывает практически весь рынок ноутбуков, нетбуков и планшетов. Матрицы для ноутбуков Samsung не являются оптимальными по финансовым соображениям, некоторые модели имеют довольно высокую стоимость. Но этот момент касается в основном только тех случаев, когда нет аналогов других производителей. В остальном же экраны Samsung являются отличным выбором для потребителей.

Интернет-магазин Notebook-LCD занимается прямыми поставками матриц Samsung Electronics в Россию, а также других производителей ЖК-панелей для ноутбуков. Наличие большого постоянно пополняющего склада дисплеев всех типов для ноутбуков, нетбуков и электронных книг. Доставка матриц для ноутбуков осуществляется по всей России. Форма оплаты: наличными в офисе или курьеру при доставке по Москве, безналичный расчет (цена не меняется, НДС включен), прямой банковский перевод либо перевод по системе денежных переводов, пополнение карты VISA, WebMoney, ЯндексДеньги, а также наложенный платеж (оплата при получении курьеру EMS).

Для сервисных центров и предпринимателей, занимающихся ремонтом ноутбуков, нетбуков и электронных книг действуют специальные цены. Для оптовых покупателей предоставляются оптовые цены. Для постоянных клиентов у нас действует система накопительных скидок. Ознакомится с условиями приобретения матриц для ноутбуков по специальным или оптовым ценам можно обратившись к менеджерам Notebook-LCD по контактам, представленным ниже.

Купить матрицу LTN160AT01-A02 или её полный аналог Вы можете в нашем офисе либо оформив заказ на странице <http://www.notebook-lcd.ru/ru/partnumbers/samsung/LTN160AT01-A02>

Также Вы можете зарезервировать комплектующие, сделать заказ либо проконсультироваться с нашими менеджерами по подбору аналога для данной матрицы либо соответствия её модели Вашего ноутбука.

Сервис по ремонту и склад матриц для ноутбуков и других запчастей для ноутбуков, КПК и электронных книг находится по адресу Варшавское шоссе, д.75, корпус 2 (ст. м. «Варшавская»).

Контакты:

Телефон: +79015534828, (495)973-48-28

Электронная почта: zakaz@notebook-lcd.ru

Skype: www.notebook-lcd.ru

ICQ: 2666355

Схема проезда: <http://www.notebook-lcd.ru/i/map.jpg>

Координаты для владельцев GPS-навигаторов:

N 55° 39.3700

E 037° 37.2316

График работы:

Пн-Пт: 9:00-19:00

Сб: 12:00-17:00

Вск: 12:00-17:00

SAMSUNG

ELECTRONICS

PI



TO : Regional向
DATE : Aug. 8, 2008.

SAMSUNG TFT-LCD

MODEL NO. : LTN160AT01-A02

NOTE : Extension code [-A02]
→ LTN160AT01-A02
Surface type [**Glare**]

The information described in this SPEC is preliminary and can be changed without prior notice

APPROVED BY :

K. H. Shin

PREPARED BY : LCD Mobile Division, Application Engineering Part

SAMSUNG ELECTRONICS CO., LTD.

**wise
view™**

Samsung Secret

Doc.No.	LTN160AT01-A	Rev.No	01-P01-S-080808	Page	1 / 31
----------------	--------------	---------------	-----------------	-------------	--------

CONTENTS

Revision History	----- (3)
General Description	----- (4)
1. Absolute Maximum Ratings	----- (5)
1.1 Absolute Ratings of environment	
1.2 Electrical Absolute Ratings	
2. Optical Characteristics	----- (7)
3. Electrical Characteristics	----- (10)
3.1 TFT LCD Module	
3.2 Backlight Unit	
3.3 Inverter	
4. Block Diagram	----- (13)
4.1 TFT LCD Module	
4.2 Backlight Unit	
4.3 Inverter Unit	
5. Input Terminal Pin Assignment	----- (15)
5.1 Input Signal & Power	
5.2 LVDS Interface	
5.3 Backlight Unit	
5.4 Timing Diagrams of LVDS For Transmitting	
5.5 Input Signals, Basic Display Colors and Gray Scale of Each Color.	
5.6 Pixel format	
5.7 DVR Address	
6. Interface Timing	----- (20)
6.1 Timing Parameters	
6.2 Timing Diagrams of interface Signal	
6.3 Power ON/OFF Sequence	
7. Outline Dimension	----- (22)
8. Packing	----- (24)
9. Marking & Others	----- (25)
10. General Precaution	----- (27)
11. EDID	----- (29)

Samsung Secret

REVISION HISTORY

PI

Date	Revision No.	Page	Summary
Aug8.2008	P00	All	LTN160AT01-A02 model Preliminary spec was issued first.

Samsung Secret

GENERAL DESCRIPTION

DESCRIPTION

LTN160AT02-N01 is a color active matrix TFT (Thin Film Transistor) liquid crystal display (LCD) that uses amorphous silicon TFT as switching devices. This model is composed of a TFT LCD panel, a driver circuit and a backlight unit. The resolution of a 16.0" contains 1366 x 768 pixels and can display up to 262,144 colors. 6 O'clock direction is the optimum viewing angle.

FEATURES

- High contrast ratio, high aperture structure
- 1366 x 768 pixels resolution (16:9)
- Color Gamut (Typical 45%)
- Viewing angle (H90 / V60)
- Low power consumption
- Fast Response Time
- Single CCFL
- DE(Data enable) only mode
- 3.3V LVDS Interface
- Onboard EEDID chip
- RoHS Compliance

APPLICATIONS

- Notebook PC
- If the usage of this product is not for PC application, but for others, please contact SEC

GENERAL INFORMATION

Item	Specification	Unit	Note
Display area	353.45 (H) x 198.72(V) (16.0" diagonal)	mm	
Driver element	a-Si TFT active matrix		
Display colors	262,144		
Number of pixel	1366 x 768	pixel	16 : 9
Pixel arrangement	RGB vertical stripe		
Pixel pitch	0.25875 (H) x 0.25875 (V) (TYP.)	mm	
Display Mode	Normally white		
Glass thickness	0.5	mm	
Surface treatment	Haze 0, Hardness 3H		

Samsung Secret

Mechanical Information

Item		Min.	Typ.	Max.	Unit	Note
Module size	Horizontal (H)	364.5	365.0	365.5	mm	
	Vertical (V)	213.5	214.0	214.5	mm	
	Depth (D)	-	6.2	6.5	mm	
Weight		-	530	545	g	

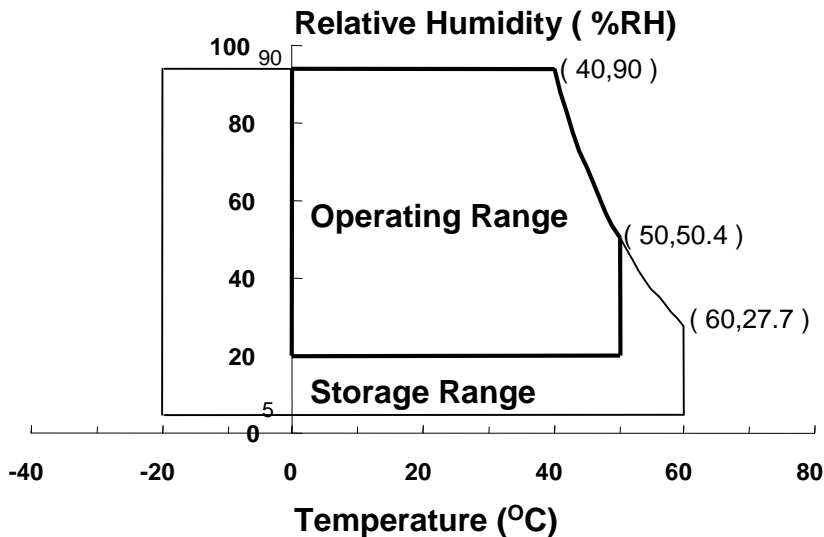
Note (1) Measurement condition of outline dimension
 . Equipment : Vernier Calipers
 . Push Force : 500g · f (minimum)

1. ABSOLUTE MAXIMUM RATINGS

1.1 ENVIRONMENTAL ABSOLUTE RATINGS

Item	Symbol	Min.	Max.	Unit	Note
Storage temperate	TSTG	-20	60	°C	(1),(5)
Operating temperate (Temperature of glass surface)	TOPR	0	50	°C	(1),(5)
Shock (non-operating)	Snop	-	240	G	(2),(4)
Vibration (non-operating)	Vnop	-	2.41	G	(3),(4)

Note (1) Temperature and relative humidity range are shown in the figure below.
 95 % RH Max. (40 °C ≥ Ta)
 Maximum wet - bulb temperature at 39 °C or less. (Ta > 40 °C) No condensation



- (2) 2ms, half sine wave, one time for ±X, ±Y, ±Z.
- (3) 5 - 500 Hz, random vibration, 30min for X, Y, Z.
- (4) At testing Vibration and Shock, the fixture in holding the Module to be tested have to be hard and rigid enough so that the Module would not be twisted or bent by the fixture.
- (5) If product is used for extended time excessively or exposed to high temperatures for extended time, there is a possibility of wide viewing angle film damage which could affect visual characteristics.

Samsung Secret

1.2 ELECTRICAL ABSOLUTE RATINGS

(1) TFT LCD MODULE

$V_{DD} = 3.3V, V_{SS} = GND = 0V$

Item	Symbol	Min.	Max.	Unit	Note
Power Supply Voltage	V_{DD}	$V_{DD} - 0.3$	$V_{DD} + 0.3$	V	(1)
Logic Input Voltage	V_{IN}	$V_{DD} - 0.3$	$V_{DD} + 0.3$	V	(1)

Note (1) Within T_a ($25 \pm 2 \text{ }^\circ\text{C}$)

(2) BACK-LIGHT UNIT

$T_a = 25 \pm 2 \text{ }^\circ\text{C}$

Item	Symbol	Min.	Max.	Unit	Note
Lamp Current	I_L	3.0	7.0	mArms	(1)
Lamp frequency	F_L	40	80	kHz	(1)

Note 1) Permanent damage to the device may occur if maximum values are exceeded
 Functional operation should be restricted to the conditions described under normal operating conditions.

Samsung Secret

2. OPTICAL CHARACTERISTICS

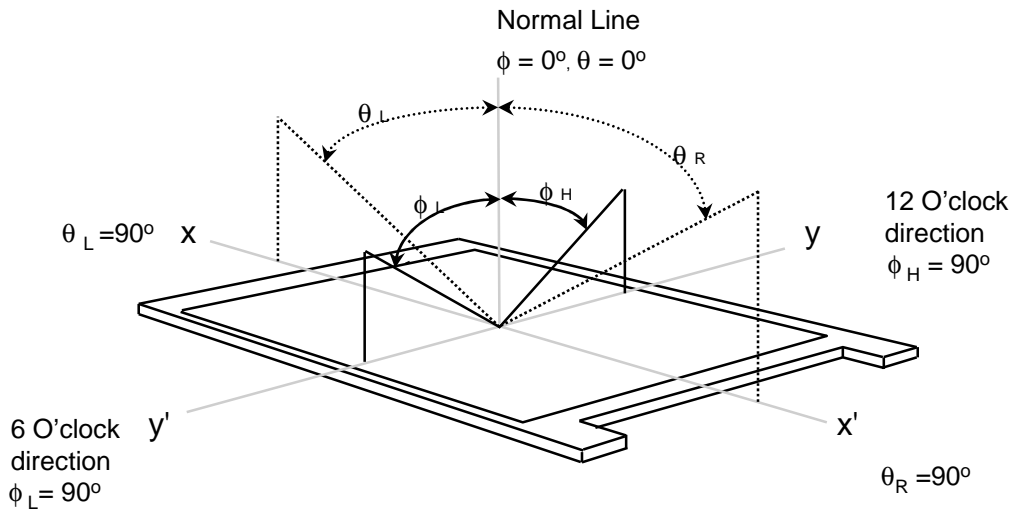
The following items are measured under stable conditions. The optical characteristics should be measured in a dark room or equivalent state with the methods shown in Note (5).
 Measuring equipment : TOPCON SR-3

* Ta = 25 ± 2 °C, VDD=3.3V, fv= 60Hz, fdCLK = (72.33)MHz, IL = 6.0 mA

Item	Symbol	Condition	Min.	Typ.	Max	Unit	Note	
Contrast Ratio (5 Points)	CR	Normal Viewing Angle $\phi = 0$ $\theta = 0$	300	600	-	-	(1), (2), (5)	
Response Time at Ta (Rising + Falling)	T _{RT}		-	8	16	msec	(1), (3)	
Average Luminance of White (Center)	Y _{L,AVE}		190	220	-	cd/m ²	IL=6.0mA (1), (4)	
Color Chromaticity (CIE)	Red		R _X	0.585	0.615	0.645	-	(1), (5) PR-650
			R _Y	0.295	0.325	0.355		
	Green		G _X	0.270	0.300	0.330		
			G _Y	0.540	0.570	0.600		
	Blue		B _X	0.115	0.145	0.175		
			B _Y	0.050	0.080	0.110		
	White		W _X	0.283	0.313	0.343		
		W _Y	0.299	0.329	0.359			
Viewing Angle	Hor.	θ_L	40	45	-	Degrees	(1), (5) BM-5A	
		θ_H	40	45	-			
	Ver.	ϕ_H	10	15	-			
		ϕ_L	25	30	-			
13 Points White Variation	δ_L	-	-	1.7	-	(6)		

Samsung Secret

Note 1) Definition of Viewing Angle : Viewing angle range($10 \leq C/R$)

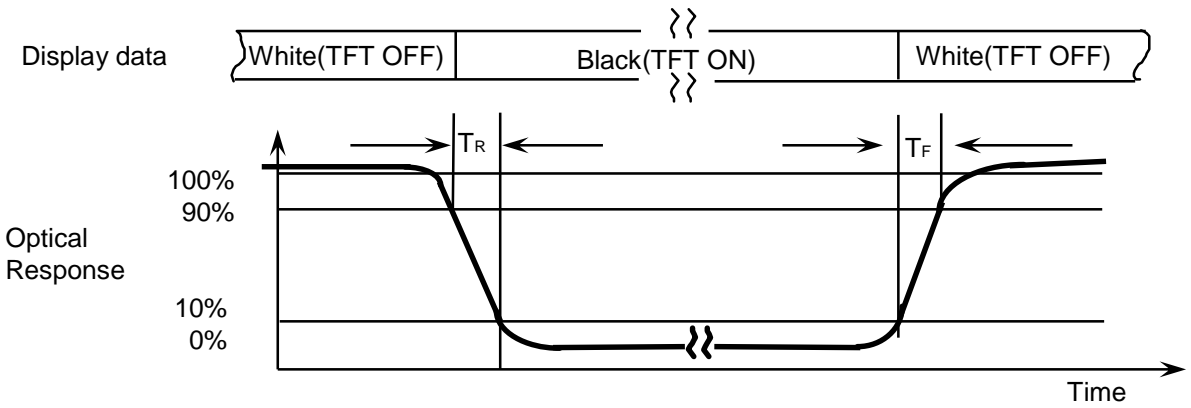


Note 2) Definition of Contrast Ratio (CR) : Ratio of gray max (Gmax) ,gray min (Gmin) at 5 points(4, 5, 7, 9, 10)

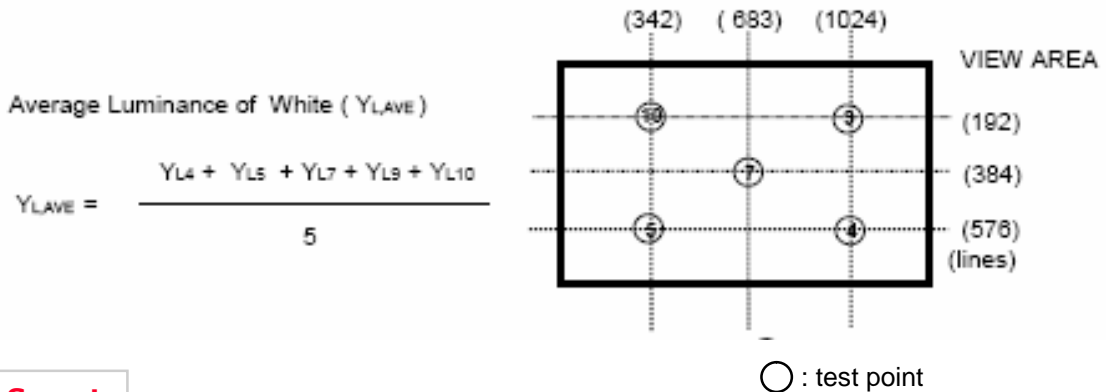
$$CR = \frac{CR(4) + CR(5) + CR(7) + CR(9) + CR(10)}{5}$$

Points : (4) , (5) , (7) , (9) , (10) at the figure of Note (6).

Note 3) Definition of Response time :



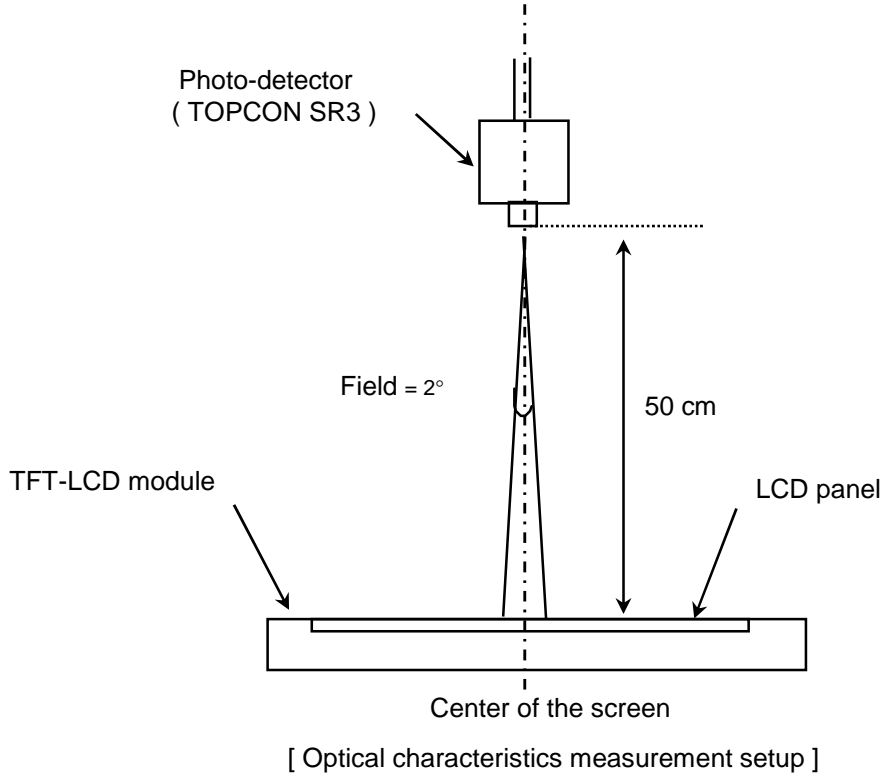
Note 4) Definition of Average Luminance of White : measure the luminance of white at 5 points.



○ : test point

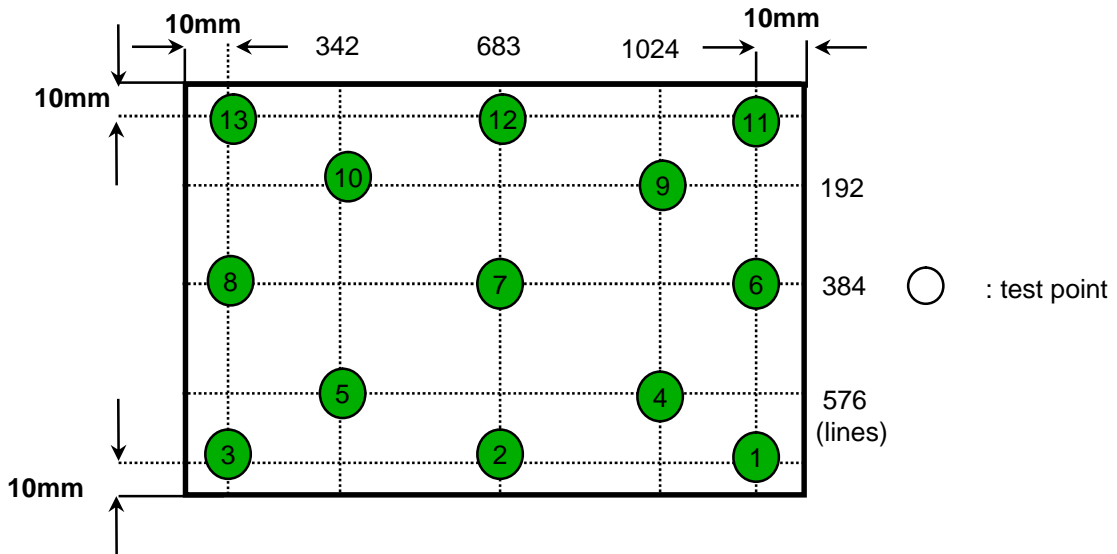
Samsung Secret

Note 5) After stabilizing and leaving the panel alone at a given temperature for 30 min , the measurement should be executed. Measurement should be executed in a stable, windless, and dark room. 30 min after lighting the backlight. This should be measured in the center of screen.
 Lamp current : 6.0mA (Inverter : SIC-130T)
 Environment condition : $T_a = 25 \pm 2 \text{ }^\circ\text{C}$



Note 6) Definition of 13 points white variation (δL), CR variation(C_{VER}) [① ~ ⑬]

$$\delta L = \frac{\text{Maximum luminance of 13 points}}{\text{Minimum luminance of 13 points}}$$



Samsung Secret

3. ELECTRICAL CHARACTERISTICS

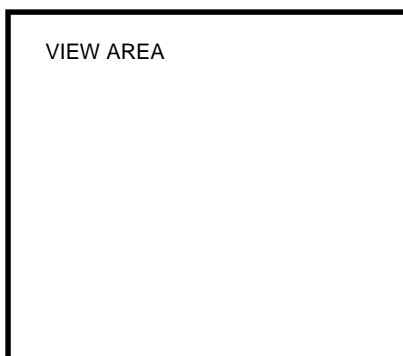
3.1 TFT LCD MODULE

Ta= 25 ± 2°C

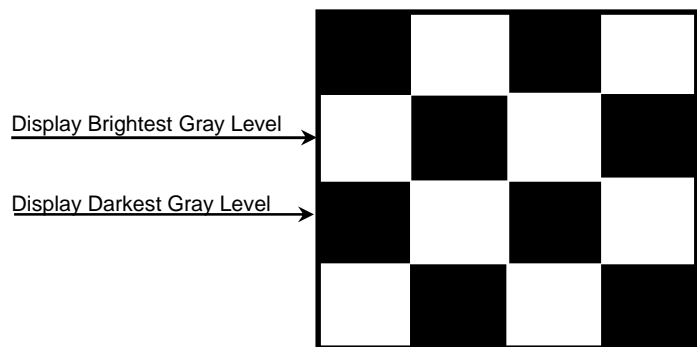
Item	Symbol	Min.	Typ.	Max.	Unit	Note	
Voltage of Power Supply	V _{DD}	3.0	3.3	3.6	V		
Differential Input Voltage for LVDS Receiver Threshold	High	V _{IH}	-	-	+100	mV	V _{CM} = +1.2V
	Low	V _{IL}	-100	-	-	mV	
Vsync Frequency	f _v	-	60	-	Hz		
Hsync Frequency	f _H	-	47.4	-	KHz		
Main Frequency	f _{DCLK}	70.9	72.33	73.7	MHz		
Rush Current	I _{RUSH}	-	-	2.0	A	(4)	
Current of Power Supply	White	I _{DD}	-	410	-	mA	(2),(3)*a
	Mosaic		-	480	-	mA	(2),(3)*b
	V. stripe		-	600	650	mA	(2),(3)*c

- Note (1) Display data pins and timing signal pins should be connected.(GND = 0V)
 (2) f_v = 60Hz, f_{DCLK} = 72.33MHz, V_{DD} = 3.3V , DC Current.
 (3) Power dissipation pattern

*a) White Pattern



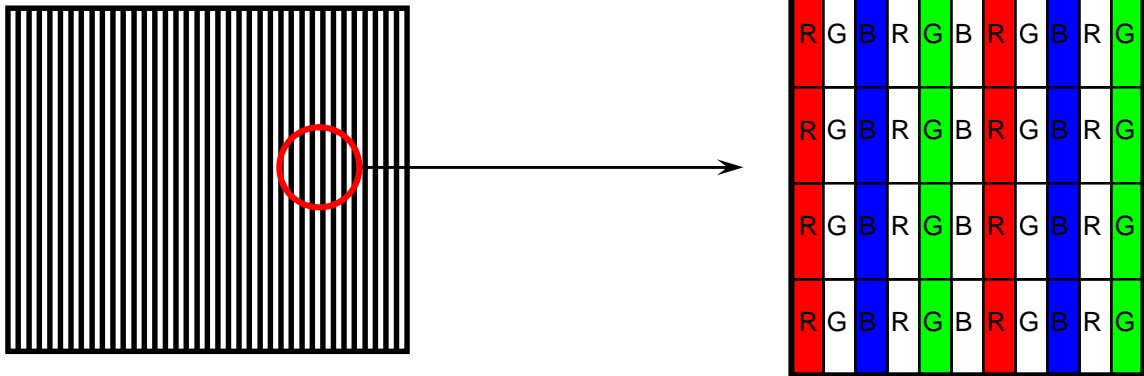
*b) Mosaic Pattern



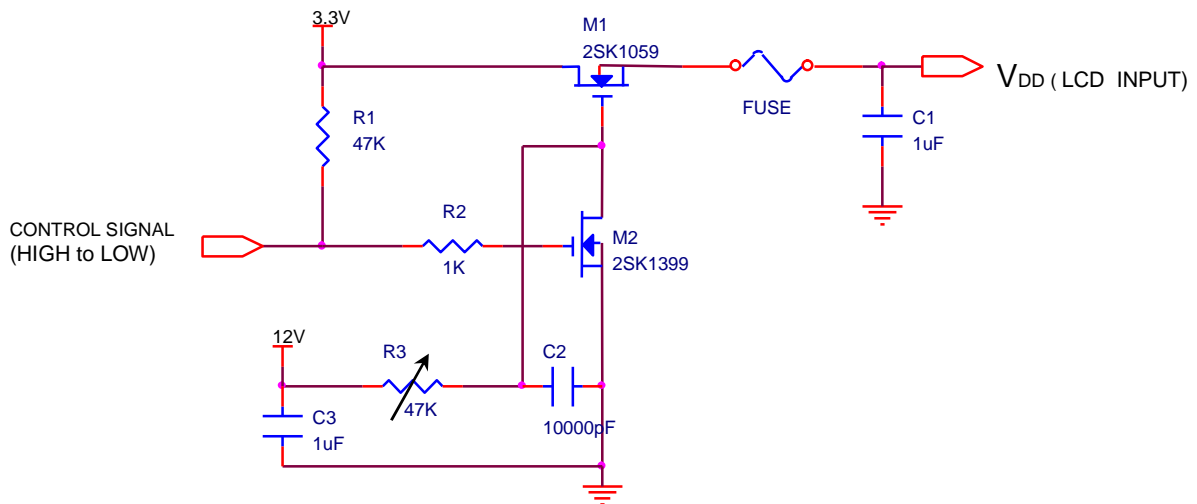
Samsung Secret

PI

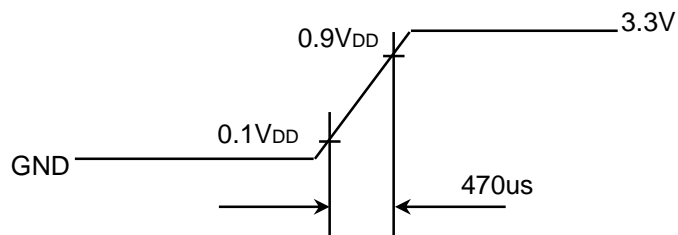
*c) 1dot Vertical stripe pattern



4) Rush current measurement condition



V_{DD} rising time is 470us



Samsung Secret

3.2 BACK-LIGHT UNIT

The backlight system is an edge-lighting type with a single CCFL (Cold Cathode Fluorescent Lamp).
 The characteristics of a single lamp are shown in the following tables.

- INVERTER : (SEM SIC 130T)

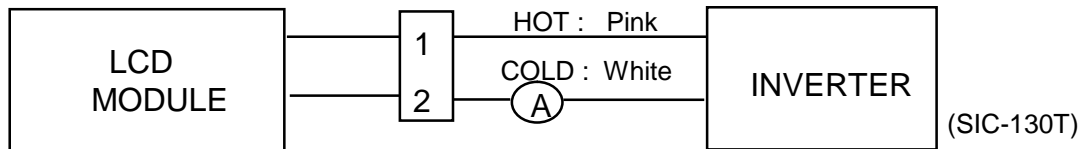
Ta= 25 ± 2 °C

Item	Symbol	Min.	Typ.	Max.	Unit	Note
Lamp Current	I _L	3.0	6.0	6.5	mArms	(1)
Lamp Voltage	V _L	-	710	-	Vrms	I _L =6.0mA
Frequency	f _L	40	-	80	KHz	(2)
Power Consumption	P _L		(4.5)		W	(3) I _L =6.0mA
Operating Life Time	Hr	12,000			Hour	(4)
Startup Voltage	V _s	-	-	1,230	Vrms	25°C, (5)
				1,540	Vrms	0°C, (5)
Lamp startup time		-	-	1.0	sec	(5)

Note) The waveform of the inverter output voltage must be area symmetric and the design of the inverter must have specifications for the modularized lamp.

The performance of the backlight, for example life time or brightness, is much influenced by the characteristics of the DC-AC inverter for the lamp. So all the parameters of an inverter should be carefully designed so as not to produce too much leakage current from high-voltage output of the inverter. When you design or order the inverter, please make sure that a poor lighting caused by the mismatch of the backlight and the inverter(miss lighting, flicker, etc.) never occur. When you confirm it, the module should be operated in the same condition as it is installed in your instrument.

Note (1) Lamp current is measured with a high frequency current meter as shown below.



(2) Lamp frequency may produce interference with horizontal synchronous frequency and this may cause line flow on the display. Therefore lamp frequency should be detached from the horizontal synchronous frequency and its harmonics as far as possible in order to avoid interference.

(3) Refer to I_L × V_L to calculate.

(4) Life time (Hr) of a lamp can be defined as the time in which it continues to operate under the condition Ta= 25 ± 2 °C and I_L = 6.0 mArms until one of the following event occurs.

1. When the brightness becomes 50% or lower than the original.
2. When the Effective ignition length becomes 80% or lower than the original value.
 (Effective ignition length is defined as an area that has less than 70% brightness compared to the brightness in the center point.)

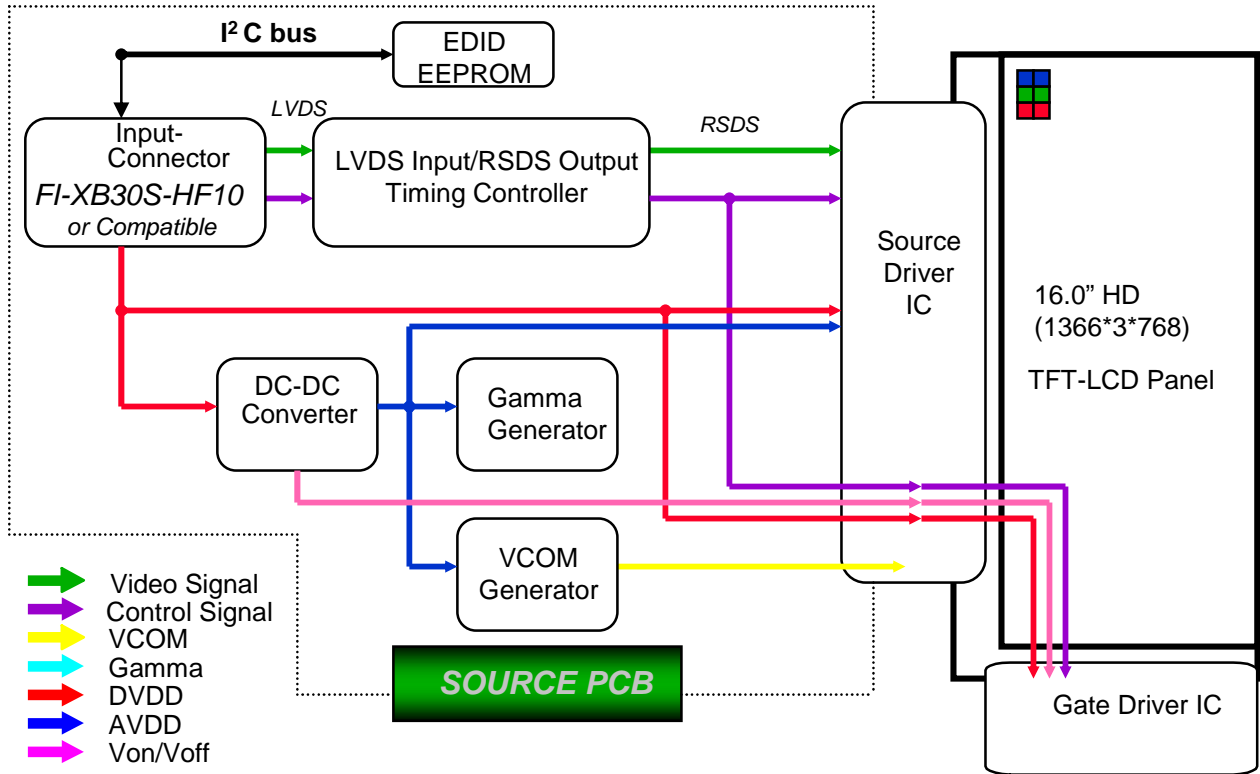
(5) The inverter open voltage - this voltage should be measured after ballast capacitor- have to be larger than the lamp startup voltage, otherwise backlight may has blinking for a moment after turns on or not be turned on.

If an inverter has shutdown function it should keep its open voltage for longer than 1 second even if lamp connector open.

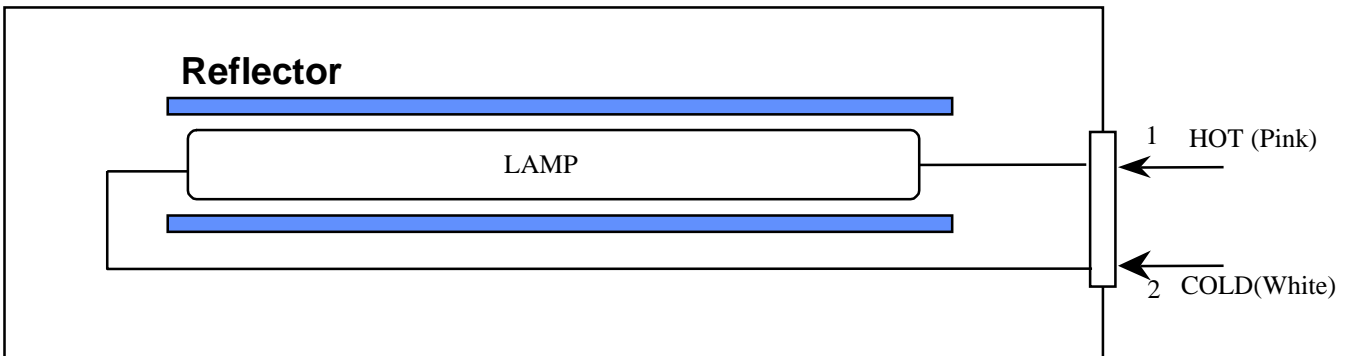
Samsung Secret

4. BLOCK DIAGRAM

4.1 TFT LCD Module



4.2 BACK-LIGHT UNIT



Note) The output of the inverter may change according to the material of the reflector.

Samsung Secret

5. INPUT TERMINAL PIN ASSIGNMENT

5.1. Input Signal & Power (LVDS, Connector : UJU IS100-L30R-C15,
 Mating Connector : JAE FI-X30M or compatible)

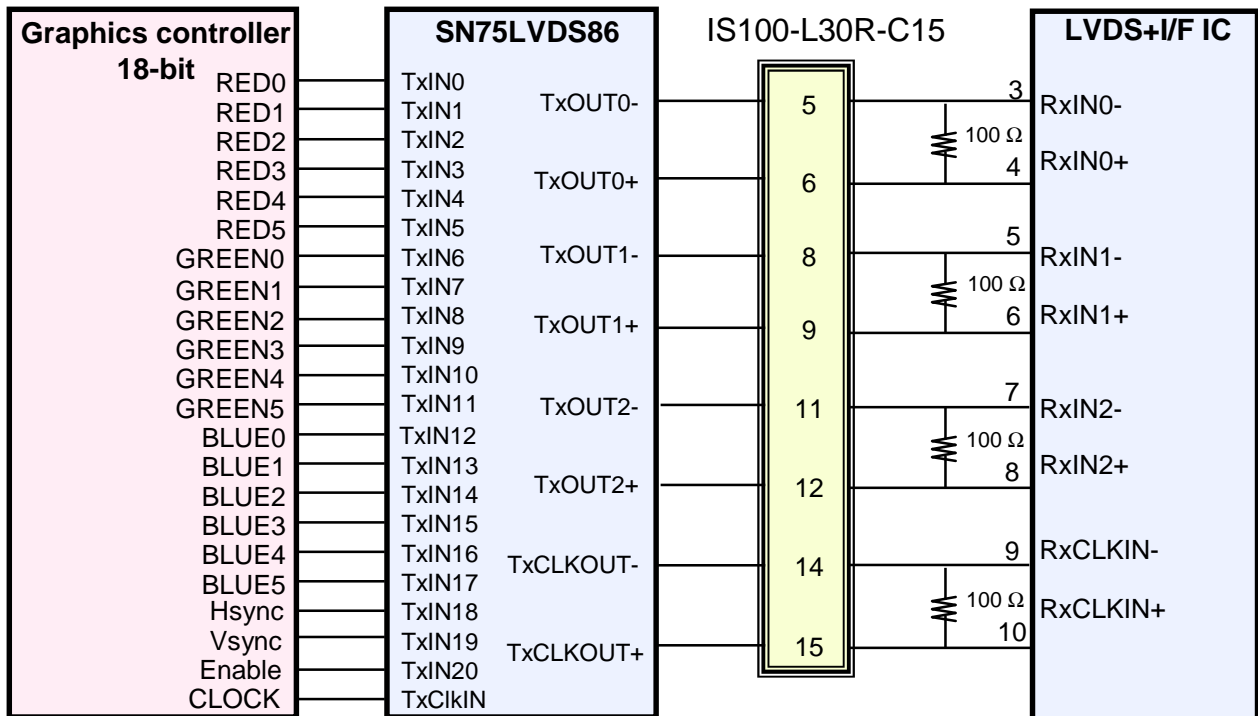
PIN NO	SYMBOL	FUNCTION	POLARITY	REMARK
1	VSS	Ground		
2	VDD	POWER SUPPLY +3.3V		
3	VDD	POWER SUPPLY +3.3V		
4	VEEDID	DDC 3.3V Power		
5	NC	No Connection		
6	CLKEDID	DDC Clock		
7	DATAEDID	DDC data		
8	RxIN0-	LVDS Differential Data INPUT (R0-R5,G0)	Negative	
9	RxIN0+	LVDS Differential Data INPUT (R0-R5,G0)	Positive	
10	VSS	Ground		
11	RxIN1-	LVDS Differential Data INPUT (G1-G5,B0-B1)	Negative	
12	RxIN1+	LVDS Differential Data INPUT (G1-G5,B0-B1)	Positive	
13	VSS	Ground		
14	RxIN2-	LVDS Differential Data INPUT (B2-B5,Sync,DE)	Negative	
15	RxIN2+	LVDS Differential Data INPUT (B2-B5,Sync,DE)	Positive	
16	VSS	Ground		
17	RxCLK-	LVDS Differential Data INPUT (Clock)	Negative	
18	RxCLK+	LVDS Differential Data INPUT (Clock)	Positive	
19	VSS	Ground		
20	NC	No Connection		
21	NC	No Connection		
22	VSS	GND		
23	NC	No Connection		
24	NC	No Connection		
25	VSS	GND		
26	NC	No Connection		
27	NC	No Connection		
28	VSS	GND		
29	NC	No Connection		
30	NC	No Connection		

Samsung Secret

5.2 LVDS Interface : Transmitter SN75LVDS86 or Compatible

Pin No.	Name	RGB Signal	Pin No.	Name	RGB Signal
44	TxIN0	R0	12	TxIN11	G5
45	TxIN1	R1	13	TxIN12	B0
47	TxIN2	R2	15	TxIN13	B1
48	TxIN3	R3	16	TxIN14	B2
1	TxIN4	R4	18	TxIN15	B3
3	TxIN5	R5	19	TxIN16	B4
4	TxIN6	G0	20	TxIN17	B5
6	TxIN7	G1	22	TxIN18	Hsync
7	TxIN8	G2	23	TxIN19	Vsync
9	TxIN9	G3	25	TxIN20	DE
10	TxIN10	G4	26	TxCLKIN	Clock

LVDS INTERFACE



Note : The LCD Module uses a 100ohm resistor between positive and negative lines of each receiver input.

Samsung Secret

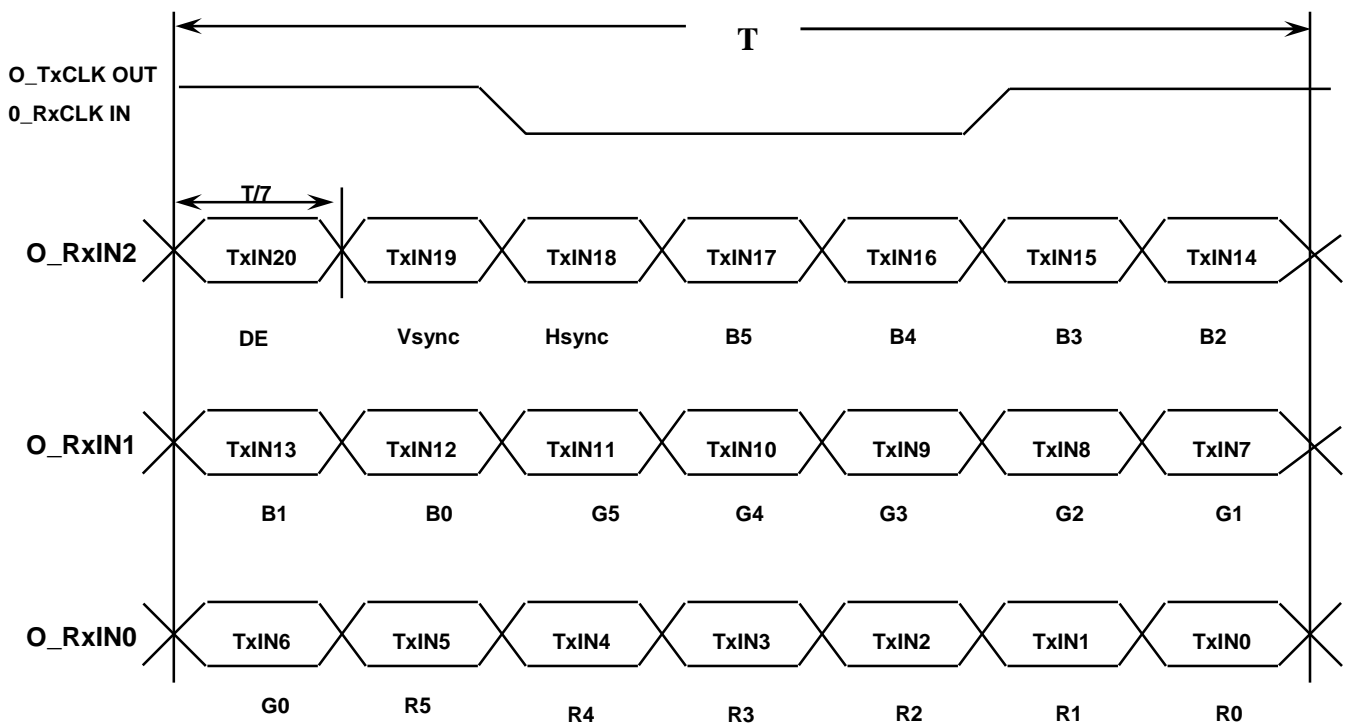
5.3 BACK LIGHT UNIT

Connector : JST BHSR - 02VS -1
 Mating Connector : SM02B-BHSS-1(JST)

Pin NO.	Symbol	Color	Function
1	HOT	Pink	High Voltage
2	COLD	White	Low Voltage

5.4 Timing Diagrams of LVDS For Transmission

LVDS Receiver : Integrated T-CON



Samsung Secret

PI

5.5 Input Signals, Basic Display Colors and Gray Scale of Each Color

Color	Display	Data Signal																Gray Scale Level	
		Red					Green					Blue							
		R0	R1	R2	R3	R4	R5	G0	G1	G2	G3	G4	G5	B0	B1	B2	B3		45
Basic Colors	Black	0	0	0	0	0	0	0	0	0	0	0	0	0	0	0	0	0	-
	Blue	0	0	0	0	0	0	0	0	0	0	0	0	1	1	1	1	1	-
	Green	0	0	0	0	0	0	1	1	1	1	1	1	0	0	0	0	0	-
	Cyan	0	0	0	0	0	0	1	1	1	1	1	1	1	1	1	1	1	-
	Red	1	1	1	1	1	1	0	0	0	0	0	0	0	0	0	0	0	-
	Magenta	1	1	1	1	1	1	0	0	0	0	0	0	1	1	1	1	1	-
	Yellow	1	1	1	1	1	1	1	1	1	1	1	1	0	0	0	0	0	-
	White	1	1	1	1	1	1	1	1	1	1	1	1	1	1	1	1	1	-
Gray Scale Of Red	Black	0	0	0	0	0	0	0	0	0	0	0	0	0	0	0	0	0	R0
	Dark	1	0	0	0	0	0	0	0	0	0	0	0	0	0	0	0	0	R1
	↑	0	1	0	0	0	0	0	0	0	0	0	0	0	0	0	0	0	R3~R60
	:	:	:	:	:	:	:	:	:	:	:	:	:	:	:	:	:	:	
	:	:	:	:	:	:	:	:	:	:	:	:	:	:	:	:	:	:	
	↓	1	0	1	1	1	1	0	0	0	0	0	0	0	0	0	0	0	R61
	Light	0	1	1	1	1	1	0	0	0	0	0	0	0	0	0	0	0	R62
	Red	1	1	1	1	1	1	0	0	0	0	0	0	0	0	0	0	0	R63
Gray Scale Of Green	Black	0	0	0	0	0	0	0	0	0	0	0	0	0	0	0	0	0	G0
	Dark	0	0	0	0	0	0	1	0	0	0	0	0	0	0	0	0	0	G1
	↑	0	0	0	0	0	0	0	1	0	0	0	0	0	0	0	0	0	G3~G60
	:	:	:	:	:	:	:	:	:	:	:	:	:	:	:	:	:	:	
	:	:	:	:	:	:	:	:	:	:	:	:	:	:	:	:	:	:	
	↓	0	0	0	0	0	0	1	0	1	1	1	1	0	0	0	0	0	G61
	Light	0	0	0	0	0	0	0	1	1	1	1	1	0	0	0	0	0	G62
	Green	0	0	0	0	0	0	1	1	1	1	1	1	0	0	0	0	0	G63
Gray Scale Of Blue	Black	0	0	0	0	0	0	0	0	0	0	0	0	0	0	0	0	0	B0
	Dark	0	0	0	0	0	0	0	0	0	0	0	0	1	0	0	0	0	B1
	↑	0	0	0	0	0	0	0	0	0	0	0	0	0	1	0	0	0	B2
	:	:	:	:	:	:	:	:	:	:	:	:	:	:	:	:	:	:	B3~B60
	:	:	:	:	:	:	:	:	:	:	:	:	:	:	:	:	:	:	
	↓	0	0	0	0	0	0	0	0	0	0	0	0	1	0	1	1	1	
	Light	0	0	0	0	0	0	0	0	0	0	0	0	0	1	1	1	1	B62
	Blue	0	0	0	0	0	0	0	0	0	0	0	0	1	1	1	1	1	B63

Note 1) Definition of gray :

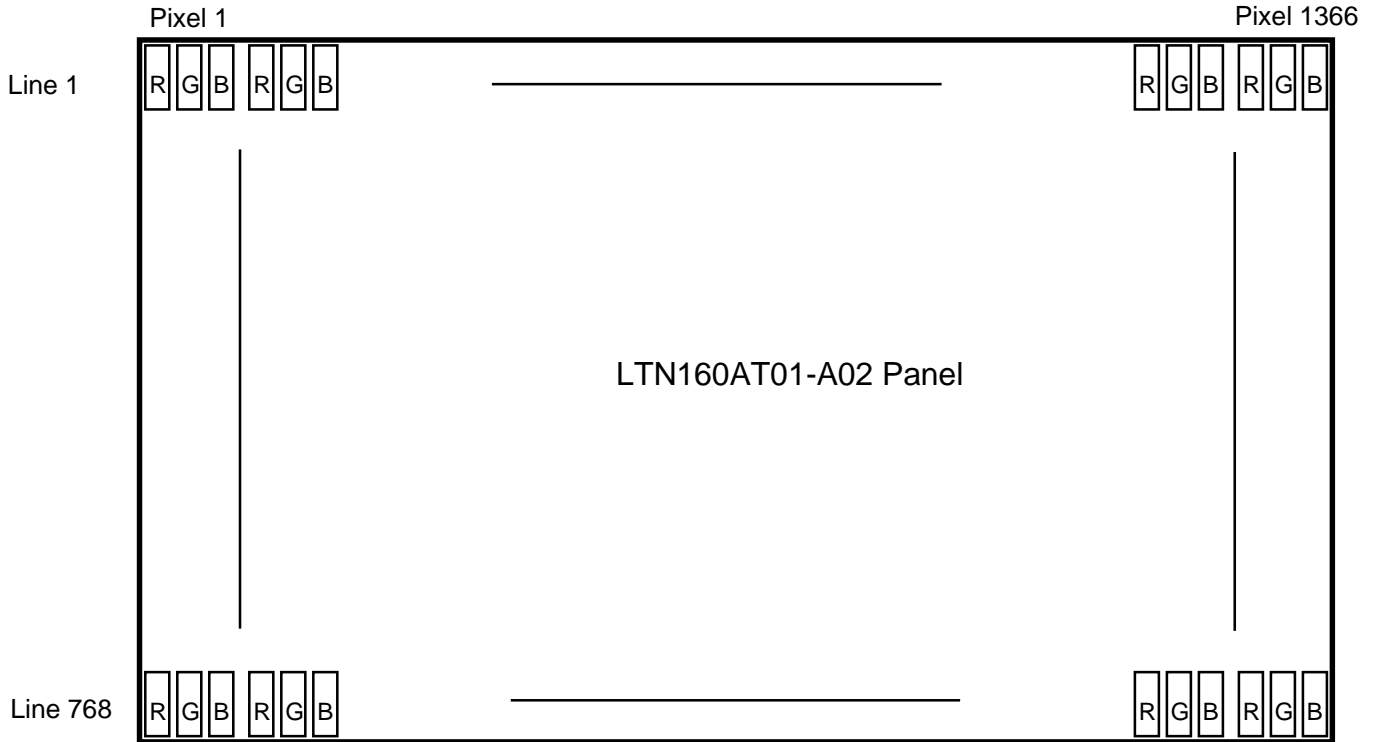
Rn: Red gray, Gn: Green gray, Bn: Blue gray (n=gray level)

Note 2) Input signal: 0 =Low level voltage, 1=High level voltage

Samsung Secret

PI

5.6 Pixel Format in the display



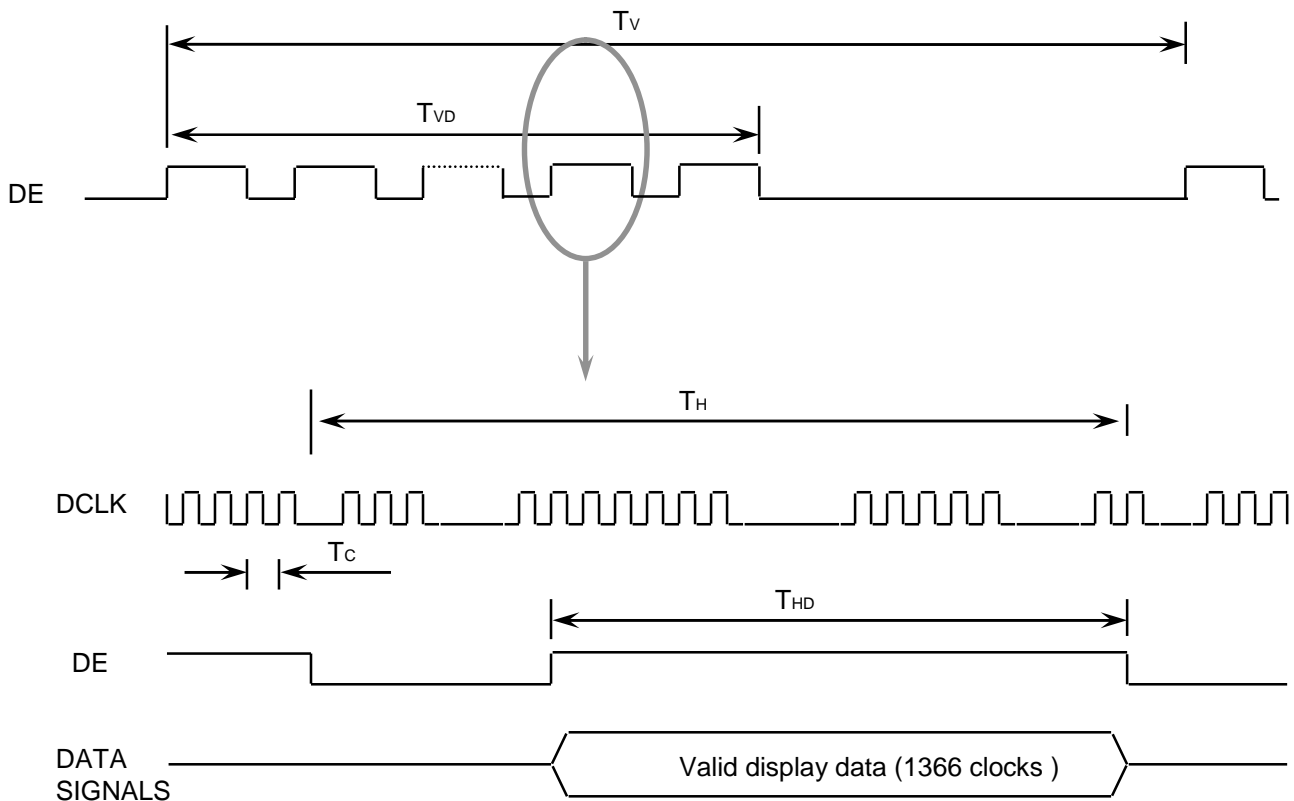
Samsung Secret

6. INTERFACE TIMING

6.1 Timing Parameters

Signal	Item	Symbol	Min.	Typ.	Max.	Unit	Note
Frame Frequency	Cycle	TV	772	790	974	Lines	
Vertical Active Display Term	Display Period	TVD	-	768	-	Lines	
One Line Scanning Time	Cycle	TH	1436	1526	1550	Clocks	
Horizontal Active Display Term	Display Period	THD	-	1366	-	Clocks	

6.2 Timing diagrams of interface signal

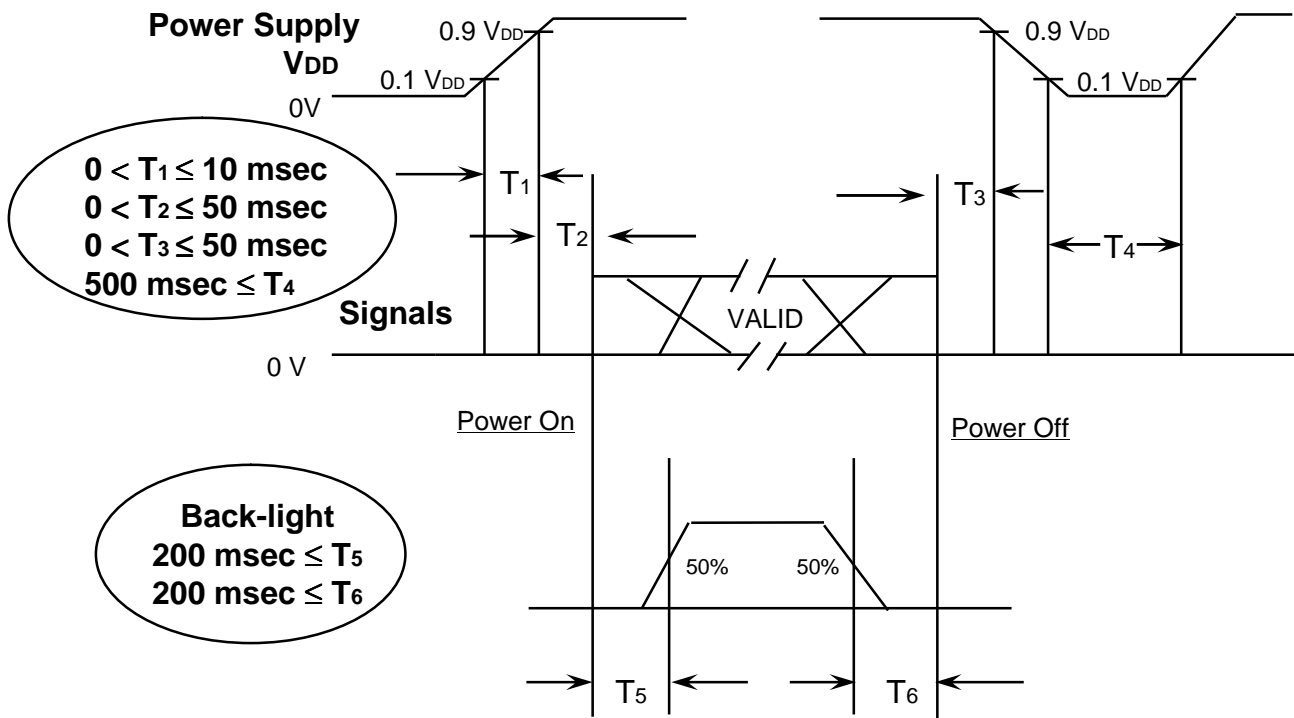


Samsung Secret

6.3 Power ON/OFF Sequence

PI

: To prevent a latch-up or DC operation of the LCD module, the power on/off sequence should be as the diagram below.



Power ON/OFF Sequence

- T1 : Vdd rising time from 10% to 90%
- T2 : The time from Vdd to valid data at power ON.
- T3 : The time from valid data off to Vdd off at power Off.
- T4 : Vdd off time for Windows restart
- T5 : The time from valid data to B/L enable at power ON.
- T6 : The time from valid data off to B/L disable at power Off.

NOTE.

- (1) The supply voltage of the external system for the module input should be the same as the definition of V_{DD} .
- (2) Apply the lamp voltage within the LCD operation range. When the back-light turns on before the LCD operation or the LCD turns off before the back-light turns off, the display may momentarily become white.
- (3) In case of $V_{DD} = \text{off level}$, please keep the level of input signals on the low or keep a high impedance.
- (4) T4 should be measured after the module has been fully discharged between power off and on period.
- (5) Interface signal shall not be kept at high impedance when the power is on.

Samsung Secret

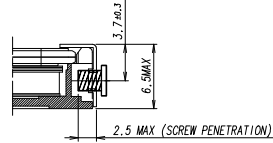
7. Mechanical Outline Dimension

PI

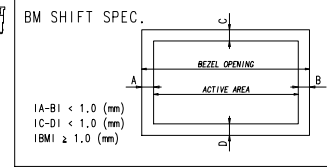
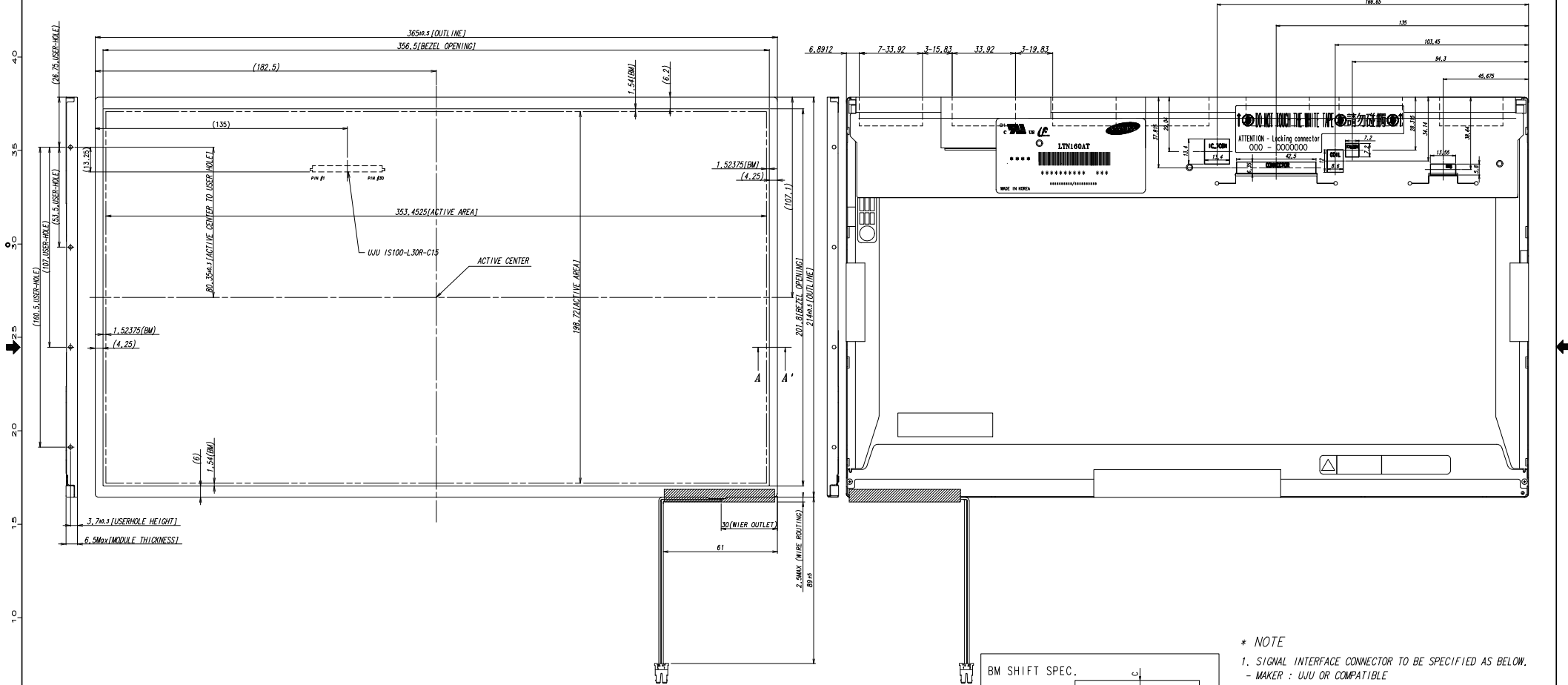
[Refer to the next page]

Samsung Secret

Doc.No.	LTN160AT01-A	Rev.No	01-P01-S-080808	Page	21 / 31
----------------	--------------	---------------	-----------------	-------------	---------



SECTION A-A'



- * NOTE
1. SIGNAL INTERFACE CONNECTOR TO BE SPECIFIED AS BELOW.
 - MAKER : UJU OR COMPATIBLE
 - INPUT CONNECTOR : UJU 1S100-L30R-C15
 2. CCFT CONNECTOR FOR BACKLIGHT TO BE SPECIFIED AS BELOW.
 - MAKER : JST
 - PART NO : BHSR-02VS-1
 3. ALLOWED DEPTH OF USERHOLE SCREW INSERTION IS MAX 2.5mm
 4. TORQUE SPEC : MAX 2.5 Kgf-cm
 5. GENERAL TOLERANCE ± 0.5

GENERAL TOLERANCE				REV	DATE	DESCRIPTION OF REVISION			REASON	CHG'D BY
STEP	LEVEL 1	LEVEL 2	LEVEL 3	UNIT	mm	DRW'N BY	DES'D BY	CHK'D BY	APP'D BY	MODEL NAME
0 < X ≤ 4	±0.05	±0.1	±0.2	SCALE	1/1	H.H.K.W				LTN160AT01-A01
4 < X ≤ 16	±0.08	±0.15	±0.3	TOLERANCE		2008.01.21				PART/SHEET NAME
16 < X ≤ 64	±0.12	±0.25	±0.5	LEVEL 3						OUTLINE DIMENSION SHEET 1/1
64 < X ≤ 256	±0.25	±0.4	±0.8			SAMSUNG ELECTRONICS				CODE NO.

PI

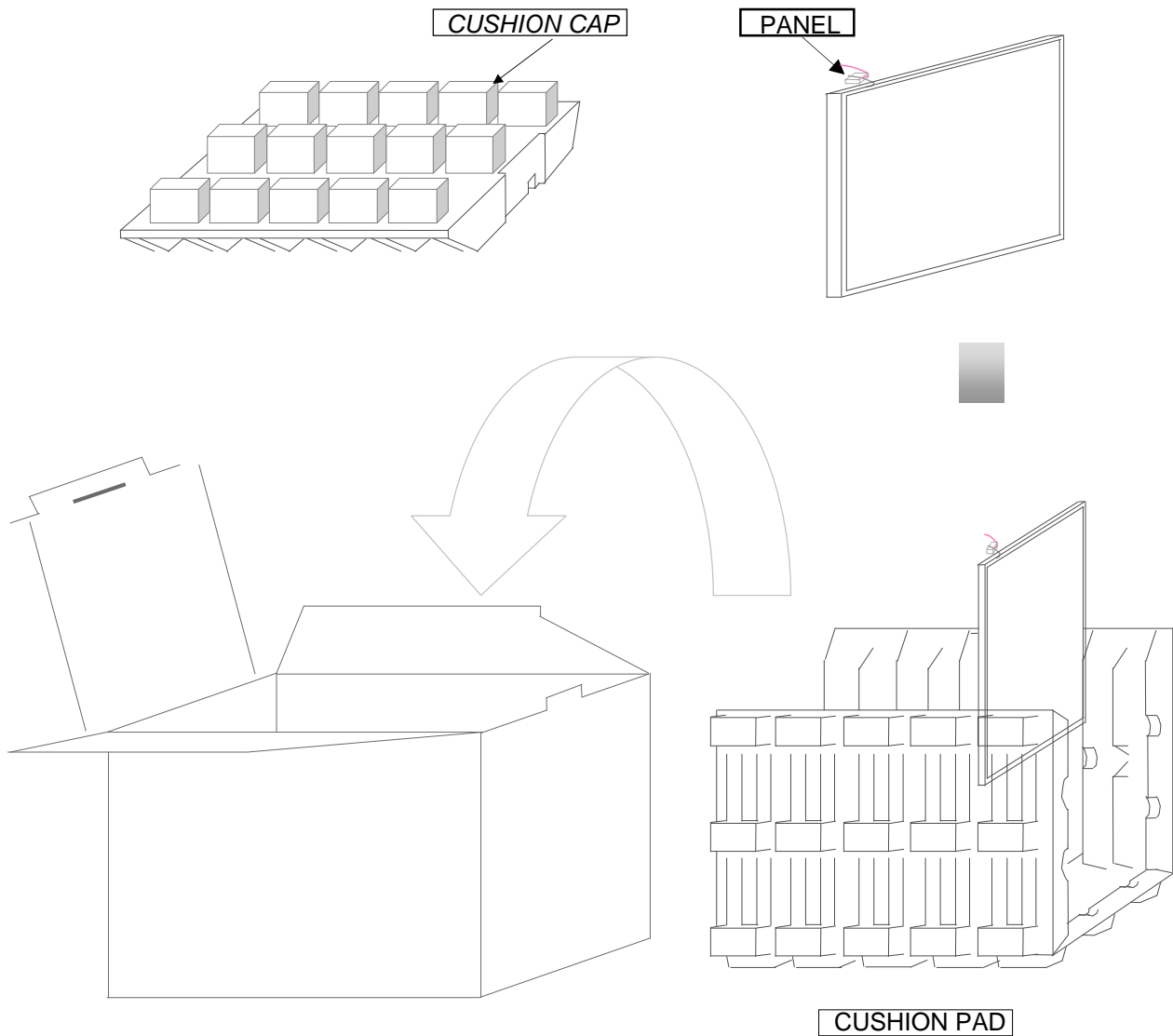
8. PACKING

1. CARTON(Internal Package)

(1) Packing Form

Corrugated Cardboard box and Corrupad form as shock absorber

(2) Packing Method



Note 1) Total Weight : Approximately 8 kg

2) Acceptance number of piling : 10 sets

3) Carton size : 376(W) x 326(D) x 404 (H)

Samsung Secret

Doc.No.	LTN160AT01-A	Rev.No	01-P01-S-080808	Page	23 / 31
---------	--------------	--------	-----------------	------	---------

PI

(3)Packing Material

No	Part name	Quantity
1	Static electric protective sack	10 pcs
2	Packing case (Inner box) included shock absorber	1 set
3	Pictorial marking	2 pcs
4	Carton	1 set

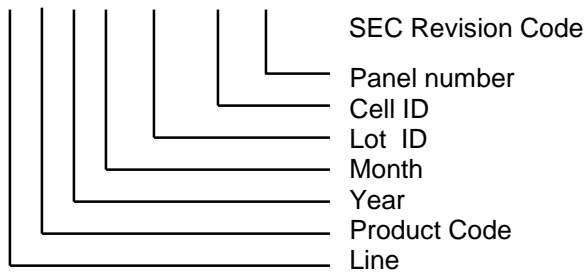
9. MARKINGS & OTHERS

A nameplate bearing followed by is affixed to a shipped product at the specified location on each product.

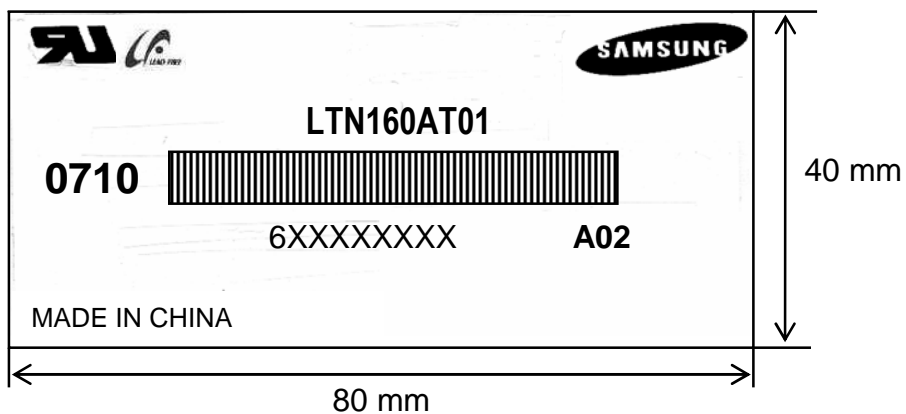
(1)Parts number : LTN160AT01

(2)Revision code : 3 letters

(3)Lot number : 6 X X X XX XX XX XXX



(4) Nameplate Indication

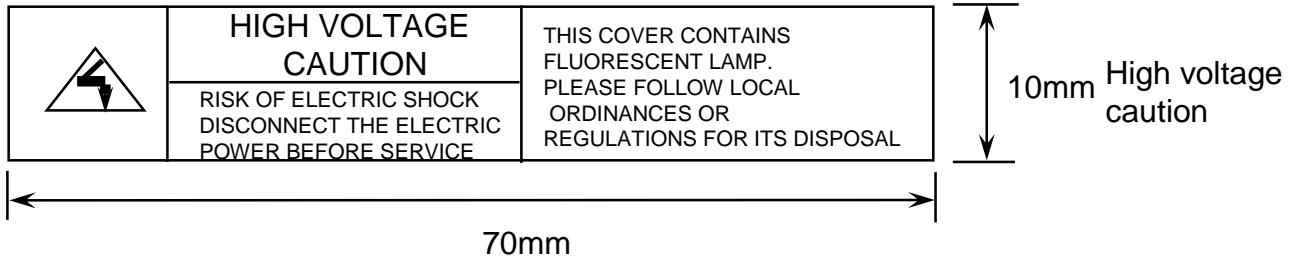


Parts name : LTN160AT01
 Lot number : 6XXXXXXXXX
 Inspected work week : 0710(2007 year 10th week)
 Product Revision Code : A02

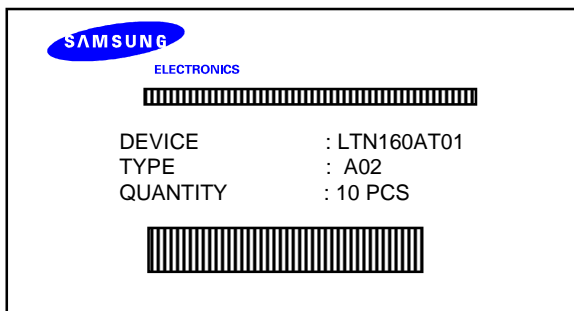
Samsung Secret

PI

High voltage caution label



(6) Packing small box attach



(7) Packing box Marking : Samsung TFT-LCD Brand Name



Samsung Secret

10. GENERAL PRECAUTIONS

1. Handling

- (a) When the module is assembled, It should be attached to the system firmly using every mounting holes. Be careful not to twist and bend the modules.
- (b) Refrain from strong mechanical shock and / or any force to the module. In addition to damage, this may cause improper operation or damage to the module and CCFT backlight.
- (c) Note that polarizers are very fragile and could be easily damaged. Do not press or scratch the surface harder than a HB pencil lead.
- (d) Wipe off water droplets or oil immediately. If you leave the droplets for a long time, Staining and discoloration may occur.
- (e) If the surface of the polarizer is dirty, clean it using some absorbent cotton or soft cloth.
- (f) The desirable cleaners are water, IPA(Isoprophyl Alcohol) or Hexane. Do not use Ketone type materials(ex. Acetone), Ethyl alcohol, Toluene, Ethyl acid or Methyl chloride. It might permanent damage to the polarizer due to chemical reaction.
- (g) If the liquid crystal material leaks from the panel, it should be kept away from the eyes or mouth. In case of contact with hands, legs or clothes, it must be washed away thoroughly with soap.
- (h) Protect the module from static, it may cause damage to the C-MOS Gate Array IC.
- (i) Use fingerstalls with soft gloves in order to keep display clean during the incoming inspection and assembly process.
- (j) Do not disassemble the module.
- (k) Do not pull or fold the lamp wire.
- (l) Do not adjust the variable resistor which is located on the back side.
- (m) Protection film for polarizer on the module shall be slowly peeled off just before use so that the electrostatic charge can be minimized.
- (n) Pins of I/F connector shall not be touched directly with bare hands.

Samsung Secret

Doc.No.	LTN160AT01-A	Rev.No	01-P01-S-080808	Page	26 / 31
----------------	--------------	---------------	-----------------	-------------	---------

2. STORAGE

- (a) Do not leave the module in high temperature, and high humidity for a long time.
It is highly recommended to store the module with temperature from 0 to 35 °C and relative humidity of less than 70%.
- (b) Do not store the TFT-LCD module in direct sunlight.
- (c) The module shall be stored in a dark place. It is prohibited to apply sunlight or fluorescent light during the store.

3. OPERATION

- (a) Do not connect, disconnect the module in the “ Power On” condition.
- (b) Power supply should always be turned on/off by following item 6.3
“ Power on/off sequence “.
- (c) Module has high frequency circuits. Sufficient suppression to the electromagnetic interference shall be done by system manufacturers. Grounding and shielding methods may be important to minimize the interference.
- (d) The cable between the backlight connector and its inverter power supply shall be a minimized length and be connected directly . The longer cable between the backlight and the inverter may cause lower luminance of lamp(CCFT) and may require higher startup voltage(Vs).
- (e) The standard limited warranty is only applicable when the module is used for general notebook applications. If used for purposes other than as specified, SEC is not to be held reliable for the defective operations. It is strongly recommended to contact SEC to find out fitness for a particular purpose.

4. OTHERS

- (a) Ultra-violet ray filter is necessary for outdoor operation.
- (b) Avoid condensation of water. It may result in improper operation or disconnection of electrode.
- (c) Do not exceed the absolute maximum rating value. (the supply voltage variation, input voltage variation, variation in part contents and environmental temperature, so on)
Otherwise the module may be damaged.
- (d) If the module displays the same pattern continuously for a long period of time, it can be the situation when the image “sticks” to the screen.
- (e) This module has its circuitry PCB's on the rear side and should be handled carefully in order not to be stressed.

Samsung Secret

Doc.No.	LTN160AT01-A	Rev.No	01-P01-S-080808	Page	27 / 31
----------------	--------------	---------------	-----------------	-------------	---------

LTN160AT02A02

Address (HEX)	FUNCTION	Value	BIN	DEC	ASCII or Data	Notes
		HEX				
00	Header	00	00000000	0		EDID Header
01		FF	11111111	255		
02		FF	11111111	255		
03		FF	11111111	255		
04		FF	11111111	255		
05		FF	11111111	255		
06		FF	11111111	255		
07		00	00000000	0		
08	ID Manufacturer Name	4C	01001100	76	S	3 character ID
					E	
09		A3	10100011	163	C	"SEC"
0A	ID Product Code	4C	01001100	76	[L]	
0B		30	00110000	48	[0]	
0C	32-bit serial no.	00	00000000	0		
0D		00	00000000	0		
0E		00	00000000	0		
0F		00	00000000	0		
10	Week of manufacture	00	00000000	0		
11	Year of manufacture	12	00010010	18	2008	2008
12	EDID Structure Ver.	01	00000001	1	1	EDID Ver. 1.0
13	EDID revision #	03	00000011	3	3	EDID Rev. 3
14	Video input definition	80	10000000	128		
15	Max H image size	23	00100011	35	35	35 cm(approx)
16	Max V image size	14	00010100	20	20	20 cm(approx)
17	Display Gamma	78	01111000	120	2.2	Gamma 2.2
18	Feature support	0A	00001010	10		
19	Red/green low bits	87	10000111	135		10000111
1A	Blue/white low bits	F5	11110101	245		11111110
1B	Red x high bits	94	10010100	148	0.580	Red x 0.580= 1001010010
1C	Red y	57	01010111	87	0.340	Red y 0.340= 0101011100
1D	Green x	4F	01001111	79	0.310	Green x 0.310= 0100111101
1E	Green y	8C	10001100	140	0.550	Green y 0.550= 1000110011
1F	Blue x	27	00100111	39	0.155	Blue x 0.155= 0010011111
20	Blue y	27	00100111	39	0.155	Blue y 0.155= 0010011111
21	White x	50	01010000	80	0.313	White x 0.313= 0101000001
22	White y	54	01010100	84	0.329	White y 0.329= 0101010001
23	Established timing 1	00	00000000	0		
24	Established timing 2	00	00000000	0		
25	Established timing 3	00	00000000	0		

Samsung Secret

PI

26	Standard timing #1	01	00000001	1		not used	
27		01	00000001	1			
28	Standard timing #2	01	00000001	1		not used	
29		01	00000001	1			
2A	Standard timing #3	01	00000001	1		not used	
2B		01	00000001	1			
2C	Standard timing #4	01	00000001	1		not used	
2D		01	00000001	1			
2E	Standard timing #5	01	00000001	1		not used	
2F		01	00000001	1			
30	Standard timing #6	01	00000001	1		not used	
31		01	00000001	1			
32	Standard timing #7	01	00000001	1		not used	
33		01	00000001	1			
34	Standard timing #8	01	00000001	1		not used	
35		01	00000001	1			
36	Detailed timing/monitor descriptor #1	41	01000001	65	72.33	Main clock= 72.33 MHz	
37		1C	00011100	28			
38		58	01010110	86	1366	Hor active=1366 pixels	
39		A0	10100000	160	160	Hor blanking=160 pixels	
3A		50	01010000	80		4bit : 4bit	
3B		00	00000000	0	768	Vertical active=768 lines	
3C		18	00010110	22	22	Vertical blanking=22 lines	
3D		30	00110000	48		4bit : 4bit	
3E		30	00110000	48	48		
3F		20	00100000	32	32	H sync. Width=32 pixels	
40		25	00100101	37	2	V sync. Offset=2 lines	
					5	V sync. Width=5 lines	
41		00	00000000	0		2bit : 2bit 2bit 2bit	
42		61	01100001	97	353	H image size= 353 mm(approx)	
43		C8	11000110	198	198	V image size = 198 mm(approx)	
44		10	00010000	16			
45	00	00000000	0		No Horizontal Border		
46	00	00000000	0		No Vertical Border		
47	19	00011001	25				
48	Detailed timing/monitor descriptor #2	00	00000000	0		Manufacturer Specified (Timing)	
49		00	00000000	0			
4A		00	00000000	0			
4B		0F	00001111	15			
4C		00	00000000	0			
4D		00	00000000	0		Value=HSPWmin / 2	
4E		00	00000000	0		Value=HSPWmax / 2	
4F		00	00000000	0		Value=Thbpmmin / 2	
50		00	00000000	0		Value=Thbpmmax / 2	
51		00	00000000	0		Value=VSPWmin / 2	
52		00	00000000	0		Value=VSPWmax / 2	
53		00	00000000	0		Value=TVbpmmin / 2	
54		00	00000000	0		Value=TVbpmmax / 2	
55		1E	00011110	30		Thpmin=value*2 + HA pixelclks	
56	B4	10110100	180		Thpmax=value*2 + HA pixelclks		
57	02	00000010	2		Tvpmmin=value*2 + VA lines		
58	74	01110100	116		Tvpmmax=value*2 + VA lines		
59	00	00000000	0		Module revision		

Samsung Secret

PI

5A	Detailed timing/monitor descriptor #3	00	00000000	0		ASCII Data String Tag
5B		00	00000000	0		
5C		00	00000000	0		
5D		FE	11111110	254		
5E		00	00000000	0		
5F		53	01010011	83	[S]	
60		41	01000001	65	[A]	
61		4D	01001101	77	[M]	
62		53	01010011	83	[S]	
63		55	01010101	85	[U]	
64		4E	01001110	78	[N]	
65		47	01000111	71	[G]	
66		0A	00001010	10	[*]	
67		20	00100000	32	[]	
68		20	00100000	32	[]	
69		20	00100000	32	[]	
6A	20	00100000	32	[]		
6B	20	00100000	32	[]		
6C	Detailed timing/monitor descriptor #4	00	00000000	0		Monitor Name Tag (ASCII)
6D		00	00000000	0		
6E		00	00000000	0		
6F		FE	11111110	254		
70		00	00000000	0		
71		31	00110001	49	[1]	
72		36	00110110	54	[6]	
73		30	00110000	48	[0]	
74		41	01000001	65	[A]	
75		54	01010100	84	[4]	
76		30	00110000	48	[0]	
77		31	00110001	49	[1]	
78		2D	00101101	45	[D]	
79		41	01000001	65	[A]	
7A		30	00110000	48	[0]	
7B		32	00110010	50	[2]	
7C	0A	00001010	10	[*]		
7D	20	00100000	32	[]		
7E	Extension Flag	00	00000000	0		
7F	Checksum	B8	10111000	184		

Samsung Secret